

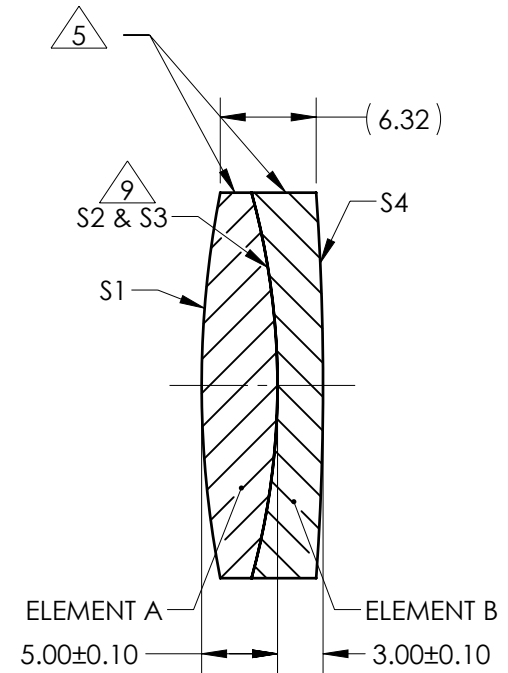
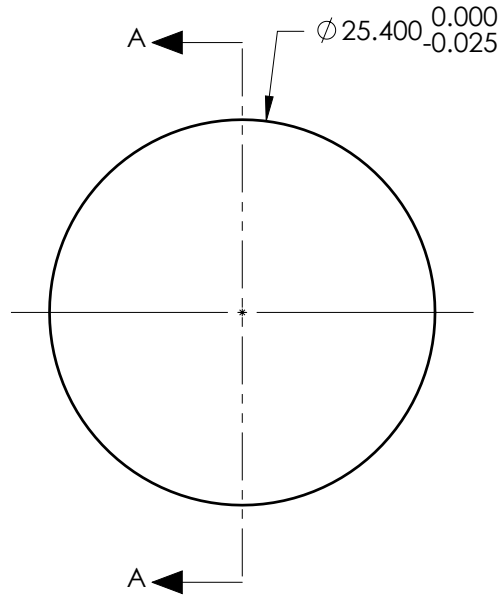
NOTES:

1. SUBSTRATE:  
ELEMENT A: N-BAK1 573/576  
ELEMENT B: N-SF15 699/301
2. ROHS COMPLIANT
3. CENTERING TOLERANCE (AT 587.6nm):  
BEAM DEVIATION (HALF ANGLE): <1 ARCMIN
4. COATING (APPLY ACROSS COATING APERTURE)  
  
S1 & S4:  
¼ WAVE MgF2 @ 550nm  
R(AVG) < 1.75% FROM 400 - 700nm (N - BK7)  
  
S2 & S3: NONE

△5 FINE GRIND SURFACE

6. POWER, IRREGULARITY, AND SURFACE QUALITY SPECIFICATIONS APPLY ACROSS CLEAR APERTURE
7. FOCAL LENGTH (EFL): 101.60mm±1%  
BACK FOCAL LENGTH (BFL): 97.72mm
8. PROTECTIVE BEVEL AS NEEDED
9. DESIGN WAVELENGTH: 587.6nm

△9 ELEMENTS TO BE CEMENTED WITH NORLAND OPTICAL ADHESIVE NOA61

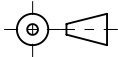


SECTION A-A

***FOR INFORMATION ONLY:  
DO NOT MANUFACTURE  
PARTS TO THIS DRAWING***

SPECIFICATIONS SUBJECT TO CHANGE WITHOUT NOTICE  
DIMENSIONS ARE FOR REFERENCE ONLY

| ELEMENT TITLE           | SPECIFICATIONS AFTER CEMENTING |            |            |            |
|-------------------------|--------------------------------|------------|------------|------------|
|                         | ELEMENT A                      |            | ELEMENT B  |            |
| SURFACE                 | S1                             | S2         | S3         | S4         |
| SHAPE                   | CONVEX                         | CONVEX     | CONCAVE    | CONVEX     |
| RADIUS                  | 66.33                          | 47.95      | 47.95      | 178.05     |
| SURFACE QUALITY         | 40 - 20                        | 40 - 20    | 40 - 20    | 40 - 20    |
| MIN CLEAR APERTURE      | Ø 24.40                        | Ø 24.40    | Ø 24.40    | Ø 24.40    |
| MIN COATING APERTURE    | Ø 24.40                        | N/A        | N/A        | Ø 24.40    |
| POWER AT 632.8nm        | 3.00 RINGS                     | 3.00 RINGS | 3.00 RINGS | 3.00 RINGS |
| IRREGULARITY AT 632.8nm | 0.50 RINGS                     | 0.50 RINGS | 0.50 RINGS | 0.50 RINGS |

THIRD ANGLE PROJECTION 

ALL DIMS IN mm

**EO** <sup>®</sup> Edmund Optics <sup>®</sup>

TITLE: 25.4mm Dia. x 101.6mm FL, MgF2 Coated, Achromatic Doublet Lens

DWG NO: 49770

SHEET 1 OF 1